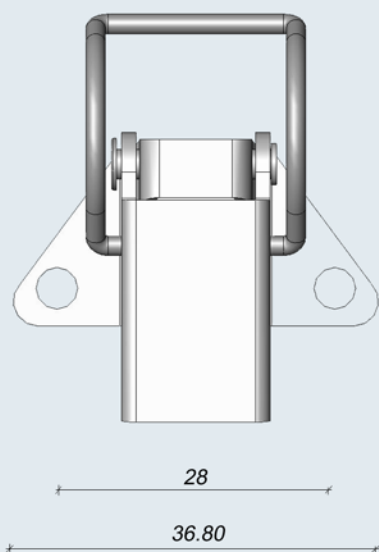
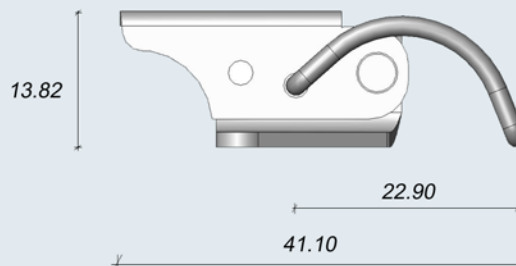
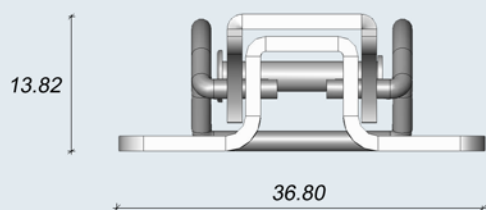
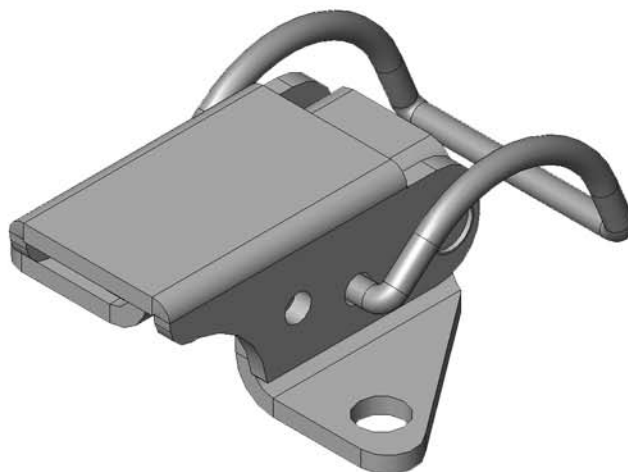


TL-1000-S



MODEL NO. TL-1000-S

Material: 304 STAINLESS STEEL

Finish: BRIGHT

Description:

HOOK TYPE OVER CENTRE
TOGGLE LATCH FOR USE IN
ENCLOSURE CLOSING
APPLICATIONS

Strike: ST-1