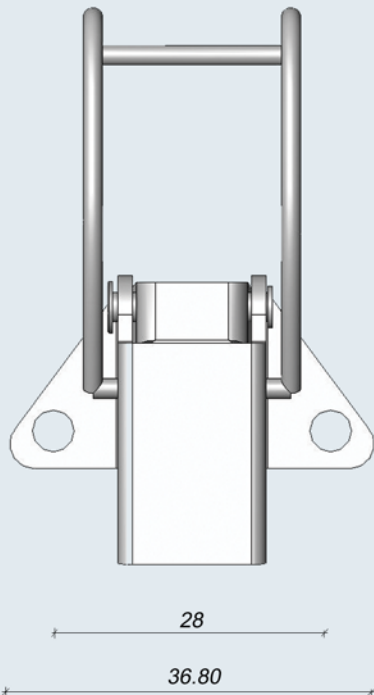
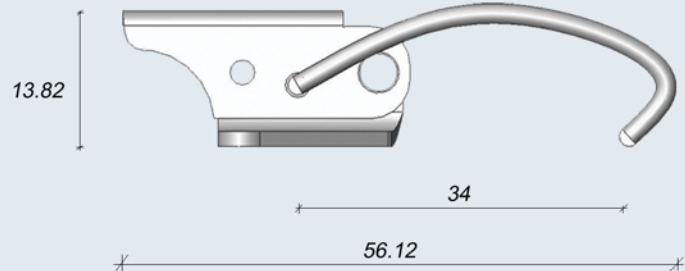
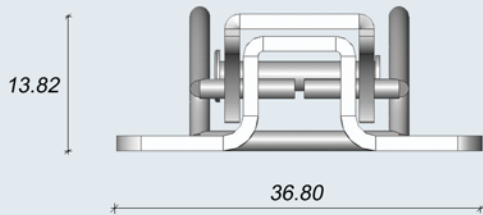
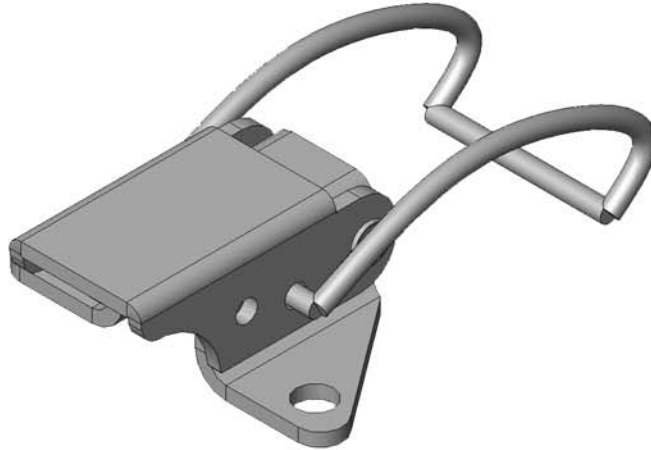


TL-1000-H



MODEL NO. TL-1000-H

Material: 304 STAINLESS STEEL

Finish: BRIGHT

Description:

HOOK TYPE OVER CENTRE
TOGGLE LATCH FOR USE IN
ENCLOSURE CLOSING
APPLICATIONS